

COAIRE

OIL INJECTED ROTARY SCREW AIR COMPRESSORS

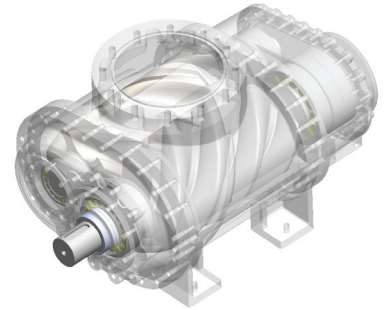


PRECISION BUILT AIR COMPRESSORS

OIL INJECTED ROTARY SCREW AIR COMPRESSOR

NEW GENERATION AIREND DEVELOPED BY COAIRE

Coaire's latest version of the Alpha rotor screw compressors were developed in conjunction with Svenksa Rotor Maskiner (SRM), a Swedish rotary compressor designer and manufacturer. This new design is owned by Coaire for exclusive use. The improved airend as much as doubles life expectancy through lower vibration and reduces sound levels compared to previous models.



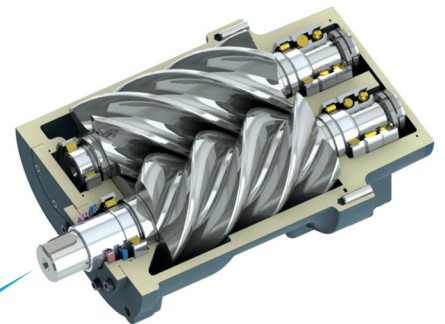
Fifth generation Alpha profile promotes smooth and reliable performance

- Reduced blow hole design eliminates friction between rotors, thus reducing vibration and noise levels while minimizing power loss.
- Improved precision of the rotors by adjusting tooling pressure angle and narrowing the sealing line, while reducing the resistance and space efficiency at the same time.
- The thermal efficiency of the Alpha profile is 9% higher than a conventional airend profile.
- State-of-the-art machining, casting, measuring, grinding, and testing process ensures a high quality product.

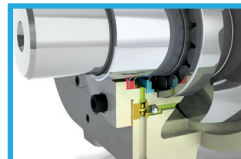


Made with strong and durable materials

- All airends are cast from high quality material produced with innovative technology, equipment, and tooling.
- Refined cabinet structure consists of heavy gauge metal (and sound absorbing material) with service-friendly access panels allowing for very low sound levels and easy access for service and adjustments.
- G2.5 grade balance control guarantees low vibration and extended life expectancy of the bearings.
- Dual bearing structure provides rigidity for the axial load.
- **High efficiency 3-stage oil seal system for improved leak prevention**

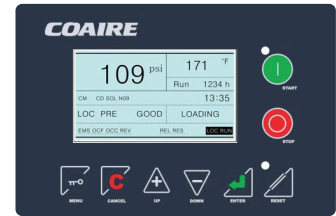


3-STAGE OIL SEAL SYSTEM



Multifunction, user-friendly controller

- Easy operation key-pad
- Multilingual (6 languages, including English, Spanish, Portuguese, Korean, Russian, and Chinese)
- Pyramid structure menu designed for convenient use
- Large LCD panel
- Up to 60 journal entries are saved to secure stable operation and thorough protection for your machine.
- This user-friendly controller is included.



Multifunction Controller

Easy maintenance

- Easily detached service doors allow convenient replacement of all parts and minimize maintenance time.
- Flanged connections use a high quality o-ring design which reduces maintenance costs.
- Large oil drain and oil input ports reduce oil change times.
- Two visual oil level sight glasses for positive oil level checks



Direct driven system

- All 30hp - 200hp airends are connected to the motor by a direct or gear driven system.
- A direct driven system increases transfer efficiency.
- Coaire uses only high-efficiency certified motors.



VARIABLE SPEED DRIVE (VSD)



Features and benefits

Available as an option:

Inverter bypass system.

This option allows air compressor operation when the inverter is offline.

- 1 Inverter & Control Box w/Line Reactors
- 2 Visual Oil Level Gauges
- 3 Separator Tank
- 4 Airend
- 5 Suction Filter Assembly
- 6 Oil & After Cooler

VSD screw compressor energy savings

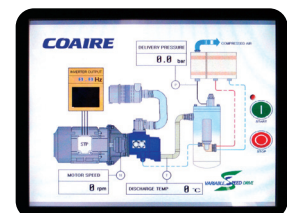
- Reduced power consumption during no-load operation: quick change rotation speed allows quick and accurate adjustment to the system air requirements fluctuations
- Required compressed air = produced compressed air
- Reduced unnecessary production of compressed air while minimizing energy loss
- Pressure control allows pressure configuration based on the system's requirements
- Soft start prevents power loss from over-amperage and extends motor life.
- Inverters are CE and UL certified.

VSD screw compressor applications

- Systems with large fluctuations in compressed air demand benefit when:
 - production line consumption varies
 - day and night shift air consumption varies
 - monthly and seasonal air consumption varies
- Production lines with future expansion plans

Touch screen controller

- 10" touch screen
- Easy to monitor operating status
- Data back up saves file in Excel format
- Easy setup configuration, operation mode, and controls
- Trend analysis of compressed air usage is available using graphs (daily, weekly, monthly)
- Operating scheduling
- This touch screen controller is available as an option.



OIL INJECTED ROTARY SCREW MODELS

Available in fixed speed and variable speed type models

CAS "S" SERIES (Fixed Speed)

Models: CAS030S - CAS100S

- Capacity : 30hp - 100hp
- Direct or gear drive
- High efficiency motor
- High efficiency cooler
- Options:
 - Water-cooled



Models: CAS050S - CAS250S

- Capacity: 50hp - 250hp
- Direct or gear drive
- Standard full Micom applied
- High efficiency motor
- High efficiency cooler
- Options:
 - Water-cooled



Models: CAS300S, CAS400S

- Capacity : 300hp - 400hp
- Direct or gear drive
- High efficiency motor
- Dual tower separator tank
- World-renowned airend
- High efficiency cooler
- Options:
 - 10" Touch screen
 - Water-cooled



CAS "V" SERIES (Variable Speed)

Models: CAS030V - CAS400V

- Capacity : 30hp - 400hp
- CE certified inverter
- Direct coupled type
- High efficiency motor
- Exclusive controller for inverter
- High efficiency cooler
- Line reactors
- Options :
 - 10" touch screen
 - Water-cooled
 - Inverter bypass



SPECIFICATIONS

CAS S Series

Model	Max Working Pressure	Free Air Delivery	Motor Power	Sound Level*	Dimensions (LxWxH)	Discharge Air Outlet	Weight
	PSIG	CFM	HP	dBA	inches	inches	lbs
CAS030S	100	127	30	61	55.1x32.7x53.1	1	1735
	125	124					
	150	111					
CAS050S	100	205	50	63	65.4x40.6x63.3	1 1/2	2579
	125	201					
	150	184					
CAS075S	100	364	75	70	78.7x54.3x73.1	2	3920
	125	318					
	150	293					
CAS100S	100	438	100	73	78.7x54.3x73.1	2	4035
	125	434					
	150	381					
CAS125S	100	579	125	75	100.4x57.9x84.9	2 1/2	5512
	125	564					
	150	504					
CAS150S	100	710	150	78	100.4x57.9x84.9	2 1/2	6140
	125	706					
	150	670					
CAS200S	100	894	200	79	106.3x64.6x84.9	3	8534
	125	878					
	150	815					
CAS250S	100	1110	250	81	106.3x64.6x84.9	3	7165
	125	1082					
	150	947					
CAS300S	100	1374	300	84	160.6x74.8x92.8	4	13669
	125	1239					
	150	1105					
CAS400S	100	1794	400	89	160.6x74.8x92.8	4	14176
	125	1783					
	150	1575					

*2 dBA higher without vent duct installed

Due to ongoing product development, specifications listed on this page are subject to change without prior notice.

SPECIFICATIONS

CAS V Series (Variable Speed)

Model	Max Working Pressure	Free Air Delivery	Motor Power	Sound Level*	Dimensions (LxWxH)	Discharge Air Outlet	Weight
	PSIG	CFM	HP	dBA	inches	inches	lbs
CAS030V	100	51-127	30	61	59.1x40.6x53.1	1	1795
	125	50-124					
	150	44-111					
CAS050V	100	82-205	50	63	65.4x44.5x68.4	1 1/2	2678
	125	80-201					
	150	74-184					
CAS075V	100	146-364	75	70	78.7x54.3x82.7	2	4019
	125	127-318					
	150	117-293					
CAS100V	100	175-438	100	73	78.7x54.3x82.7	2	4178
	125	174-434					
	150	152-381					
CAS125V	100	232-579	125	75	121.7x57.9x84.9	2 1/2	5655
	125	226-564					
	150	202-504					
CAS150V	100	284-710	150	78	121.7x57.9x84.9	2 1/2	6275
	125	282-706					
	150	268-670					
CAS200V	100	358-894	200	79	126x64.6x84.9	3	8669
	125	351-878					
	150	326-815					
CAS250V	100	444-1110	250	81	127x64.6x84.9	3	7300
	125	433-1082					
	150	379-947					
CAS300V	100	550-1374	300	84	106.6x74.8x92.8	4	13944
	125	496-1239					
	150	442-1105					
CAS400V	100	718-1794	400	89	160.6x74.8x92.8	4	14756
	125	713-1783					
	150	630-1575					

*2 dBA higher without vent duct installed

Due to ongoing product development, specifications listed on this page are subject to change without prior notice.



COAIRE

VALUE, QUALITY DRIVEN